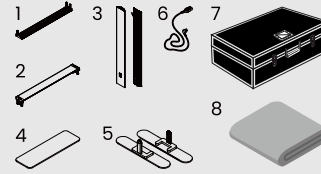


SEG Backlit Trade Show Counter

Assembly Instructions

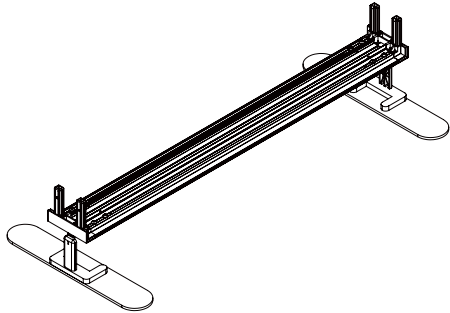
1. Bottom Frame (x1)
2. Top Frame (x1)
3. Side Poles (x2)
4. Tabletop
5. Frame Feet (x2)

6. Power Cord
7. Hard Case
8. Graphic



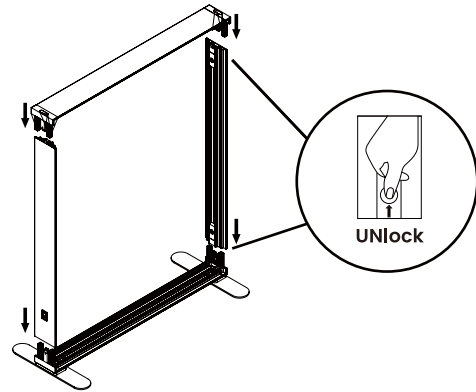
1 Assemble The Frame

Match the shapes located on each piece. Attach frame feet to the assembled bottom frame by inserting the connector located on the foot into the slots on the bottom.



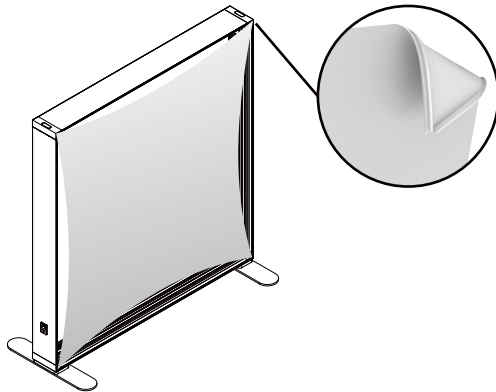
2 Assemble The Frame

Attach the side frames by matching the shapes located on each piece and clicking into place. Attach top frame to the side frames and clicking into place.



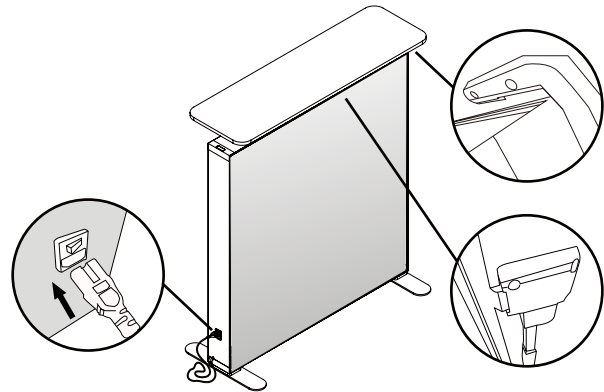
3 Install The Graphic

Start with the corners. Working in a clockwise motion insert each corner of the graphic to the frame.



4 Install The Tabletop

Attach the tabletop to the top frame by snapping the slots. Insert power cord into port located on the side frame.



Storage & Care:

Store in a cool dry location. Clean hardware with a damp cloth. Machine wash the graphics in cold water on a gently cycle. Air dry only. Use a steamer for wrinkles. Never dry-clean.