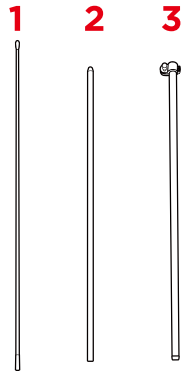
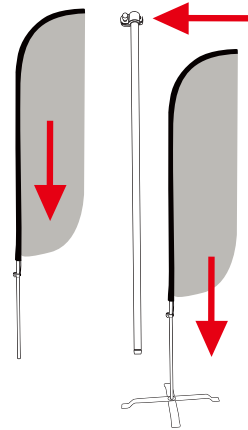


5ft Feather Flag & Pole Set Instructions

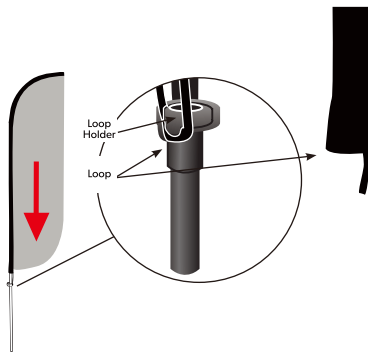
Step 1: Check to make sure all parts in the first diagram are included. Insert pole #1 (the fiberglass piece) into pole #2, and finally insert both into pole #3.



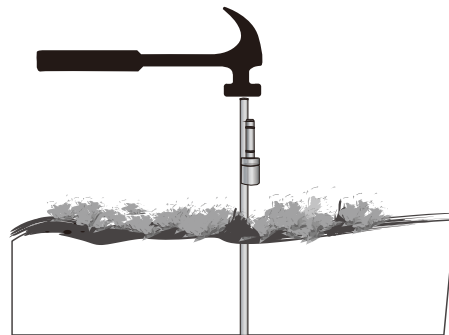
Step 2: Slide the end of the pole #1 into the sleeve of the feather flag. Slide the feather flag down until the pole has reached the end of the sleeve.



Step 3: Find the black loop of the feather flag. Hook this onto the loop holder piece on pole #3. Slide the feather flag loop holder down the shaft of the pole until the feather flag achieves a good clean shape. Tighten down the loop holder by turning the knob clockwise.



Step 4: If using a ground spike, first stick the spike into the ground by hammering the solid top of the spike (not the pole set receptacle hole), until secured into the ground. Then continue to step #6 below.



Step 5: If using an X-Stand, place the shorter leg down, place the washer over the hole, place the longer leg on top. Insert the threaded bolt up through the bottom of the legs, screw dowel into the threaded bolt firmly but do not over tighten.

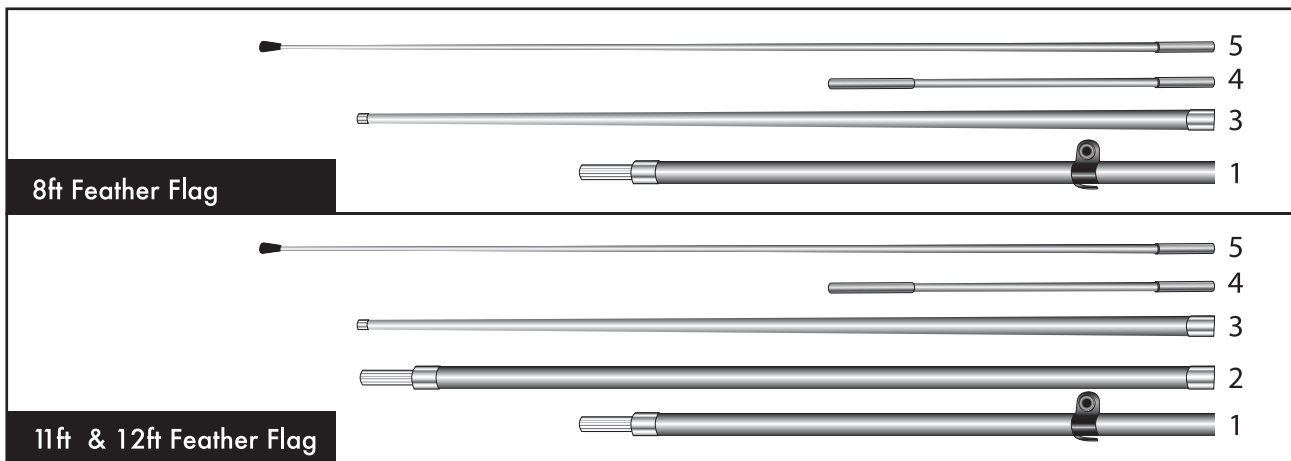


- 4. Dowel - X-Stand
- 5. Bolt - X-Stand
- 6. Washer - X-Stand
- 7. X-Stand Leg - Tall
- 8. X-Stand Leg - Short

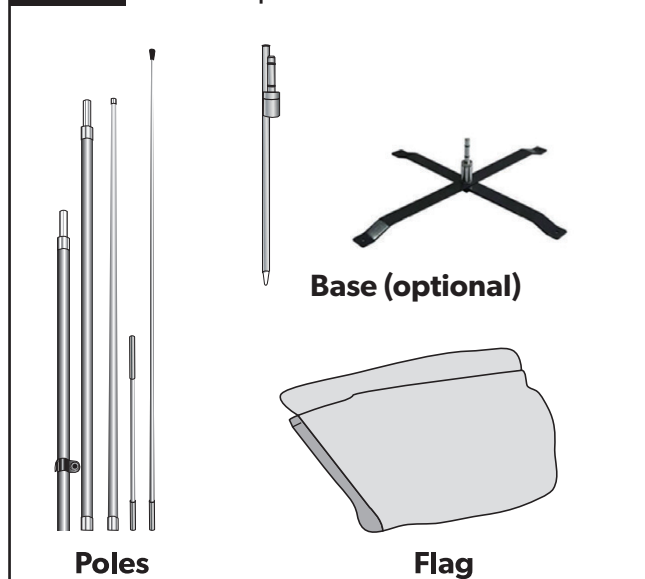
Step 6: Insert the end of the fully assembled feather flag pole into the receptacle of the chosen base unit.



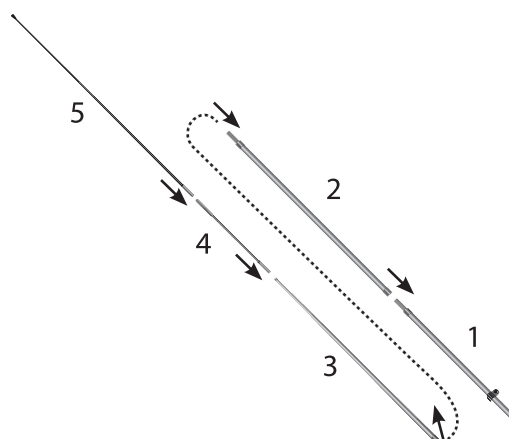
Fiberglass Pole Set Assembly Instructions



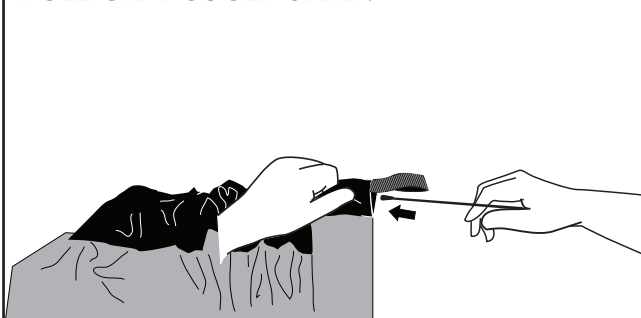
Step 1: Place all parts on a clean flat surface



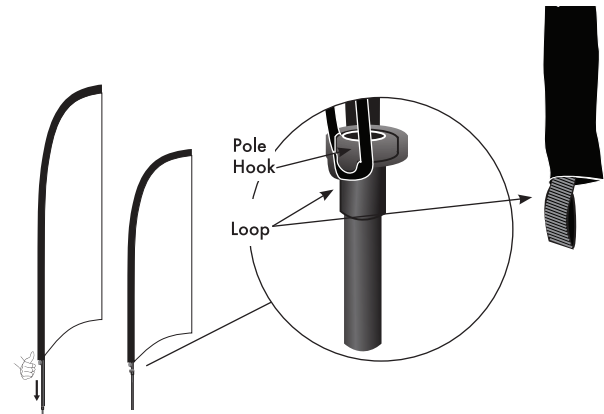
Step 2: Connect all poles by inserting them into each other, starting from the top. (Pole 5 → Pole 4 → Pole 3 → Pole 2 → Pole 1 → Base. **Note: NO POLE 2 for 8ft**)



Step 3: Carefully insert the top end of the assembled poles into the pole pocket on flag. Push the pole through as far as it will go until it hits the end. **DO NOT FORCEFULLY PUSH THE POLE OR IT COULD SNAP.**



Step 4: Locate the pole hook located on the bottom pole. Raise the Hook until you can attach the loop at the bottom of the flag. Apply firm tension and tighten hook in place.



Note: Keep product clear from trees, poles, buildings or any other obstruction as it will cause premature wear.

Optional Bases & Accessories



GROUND SPIKE



X-STAND



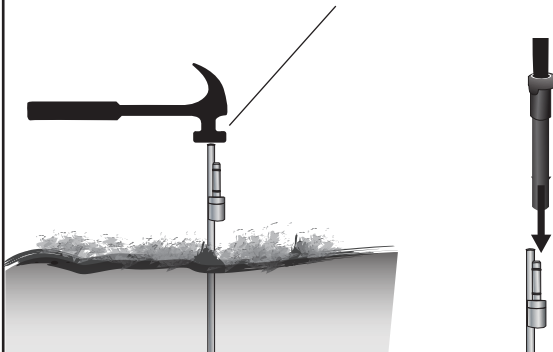
WATER BAG



Carrying Case

Optional Ground Spike

Hammer the Spike Base into the ground at desired location & install the flag onto rotating mount
MAKE SURE YOU HAMMER THE BLUNT END OF THE SPIKE AND NOT THE ROTATING FLAG MOUNTING POINT



NOTE: This is an optional product

Optional X-Stand

Assemble the X-Stand by corssing both legs and securing assembly by screwing the weighted dowel into the center. Instal flag poleover the top.



NOTE: This is an optional product

Optional Water Bag

Place the water bag over the base **BEFORE** attaching the flag pole. Fill bag with water for stability



NOTE: This is an optional product

Optional Carrying Case

We highly recommend using our optional Premium Carrying Case for storage & Transportation of your flags.



NOTE: This is an optional product

**Store all items in a cool dry location away from direct sunlight .
To Clean, wipe with damp cloth. Do not iron or dry clean the flags.**