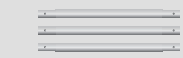


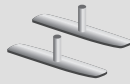
Arch Add-On Assembly Instructions



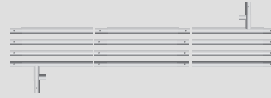
(3) Center Support Poles



(2) TV Mount Support Poles



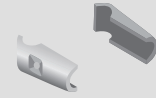
(2) Support Feet



(4) Connected Poles



(2) Corner Poles



(2) Connected Poles



(1) TV Stand Graphic



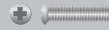
(1) TV Mount Main Support



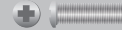
(2) TV Mount Brackets



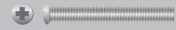
(8) Metal Washers



(4) 1" Screws - Thin For TV Bracket



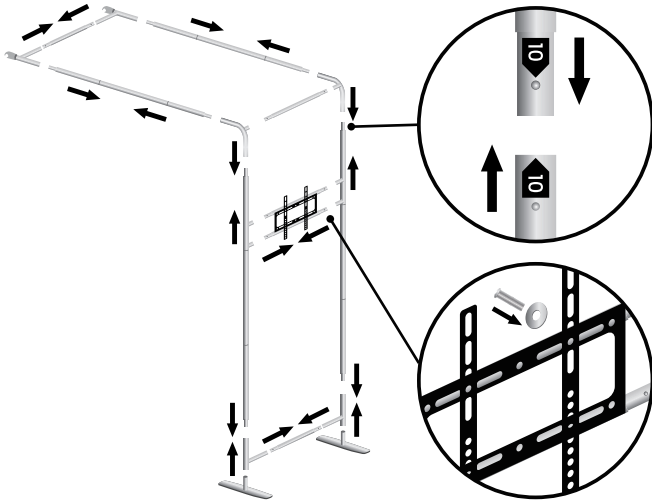
(4) 1" Screws - Thick For TV Bracket



(2) 1.5" Screws - For TV Bracket

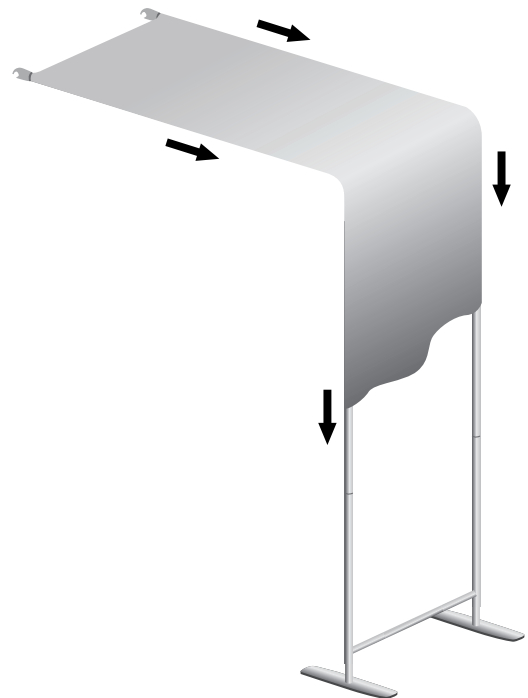
1 Assemble the Frame

Connect the poles by matching the numbers. Connect the two sides together with the Center Support Poles and TV Support Poles. Ensure they are tightened securely.



2 Install the Graphic

Carefully pull the graphic print over the frame, ensuring both sides are pulled down at the same time.



Storage & Care:

Store in a cool dry location. Clean hardware with a damp cloth. Machine wash the graphics in cold water on a gently cycle. Air dry only. Use a steamer for wrinkles. Never dry-clean.