

CANOPY TENT

LED LIGHT SET

USER GUIDE

SPECIFICATIONS:

SKU: 10M1011004-2P / 10M1011004-4P

Warranty: 1 Year

Battery Type: Lithium Ion

Input Voltage: DC5V 1A - USB Charger (Included)

Water Resistant: IP20

Light Dimensions: 12.5" X 1.5" X 1.5"

Brightness: 390 Lumens (per Light)

Color Temperature: 6500K (Bright White)

Discharge Time: 6-8 Hours

Light Modes: High, Low, Bug Repelling Amber & Flashlight

What's Included:



EVA Carry Case



LED Light



USB Charger



USB Cable



Mounting Straps



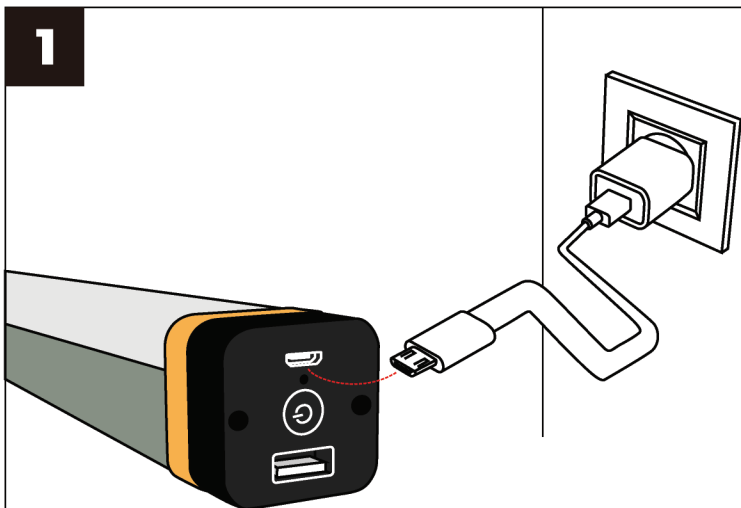
CANOPY TENT

LED LIGHT SET

USER GUIDE

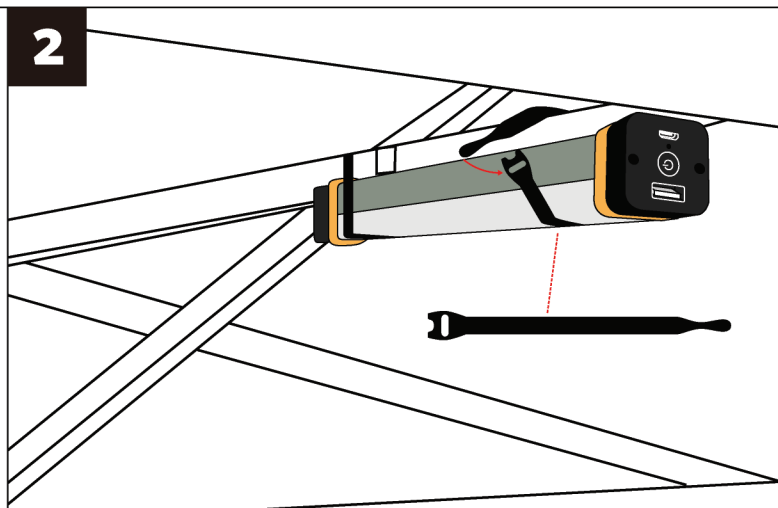
USER INSTRUCTIONS:

1



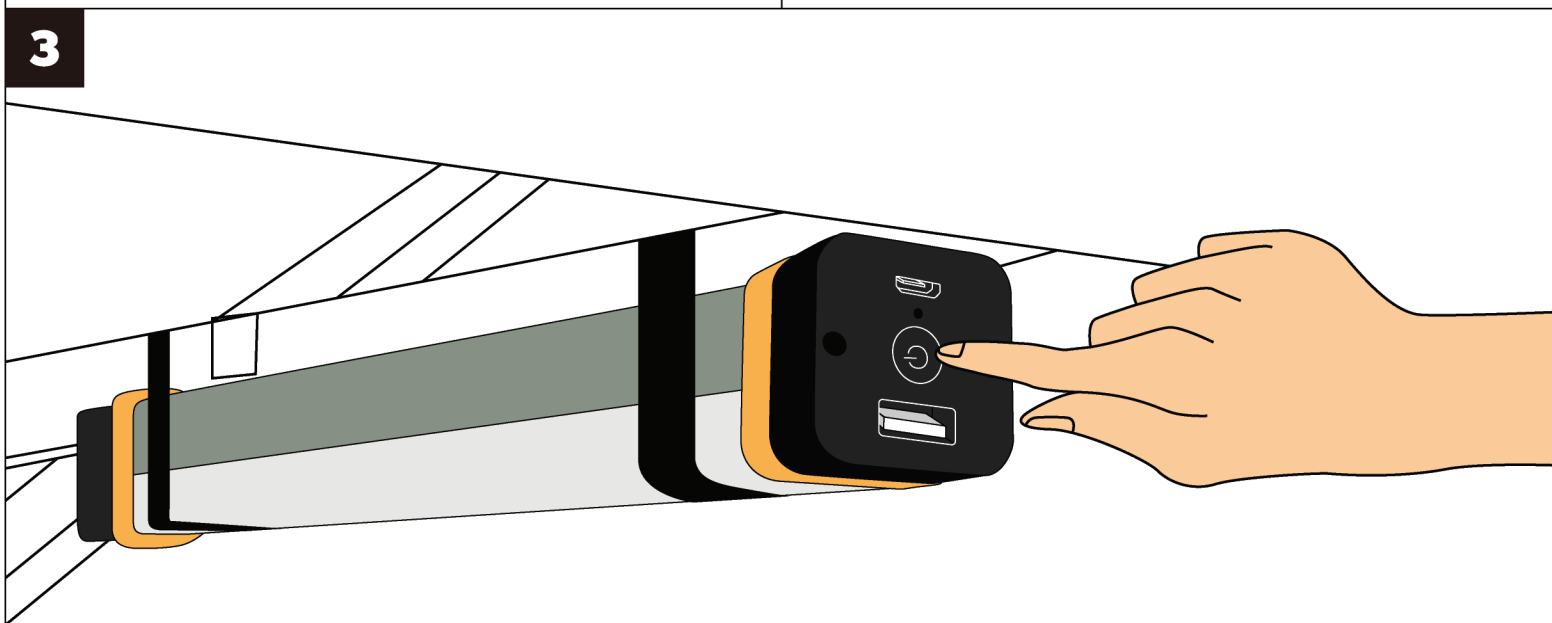
Before using your LED Light set, please make sure that they are fully charged. Plug each light into a 120V power source using the provided charger plus and USB cables.

2



Remove the LED Light from its case and secure it to your Canopy Tent frame using the hook & loop Mounting Straps (included).

3



Press the power button on the end of each light until the desired setting is selected.