

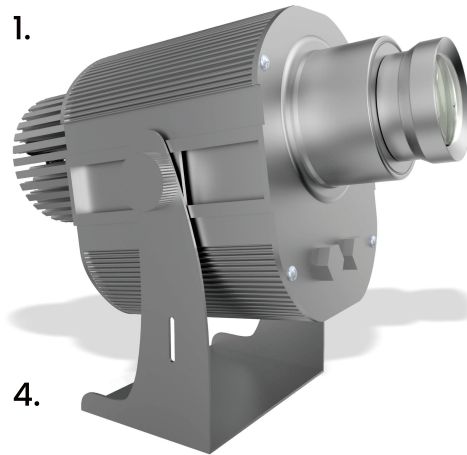
LookOurWay

GOBO LOGO PROJECTOR



WHAT'S IN THE BOX

1. GOBO logo Projector
2. Custom Printed Lens
3. Power Supply W/ XXX long cable
4. Mounting Bracket
5. Remote Control



NOTES BEFORE USE



Adjusting Focus

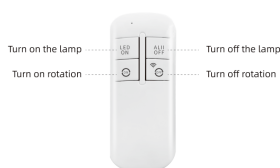
Turn the lens at the front of the projector in and out until the logo is clear and legible. Turn out (left) for closer distances and in (right) for further distance.



Rotate or Static Button

Adjust the Logo to Rotate or Static

There is a switch at the rear of the lamp. Press the switch to rotate or static.



Remote Control

Remote control

Remote control can help you to control the logo to rotate or static and to turn on or off the lamp.

25W SPECIFICATIONS



- Brightness: 2000 lumens
- Lens Range (bright environment) Up to 20 ft
- Lens Range (dark environment) Up to 30ft
- *Aspect ratio: 1:0.33 (Image size(m)=0.33*distance(m))
- Projector Dimensions 9"L X 6.5"H
- Base 4"L X 2"W
- Projector Box Dimensions 12" X 7" X 7"
- Power Consumption: 4W
- Projector Weight 3lbs



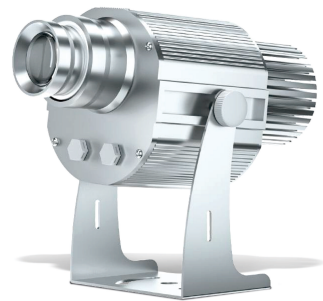
50W SPECIFICATIONS



- Brightness: 4500 lumens
- Lens Range (bright environment) Up to 30 ft
- Lens Range (dark environment) Up to 50ft
- *Aspect ratio: 1:0.33 (Image size(m)=0.33*distance(m))
- Projector Dimensions 9"L X 6.5"H
- Base 4"L X 2"W
- Projector Box Dimensions 12" X 7" X 7"
- Power Consumption: 4W
- Projector Weight 4lbs



100W SPECIFICATIONS

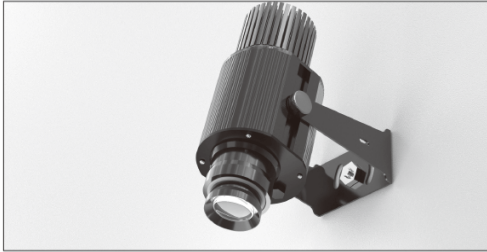
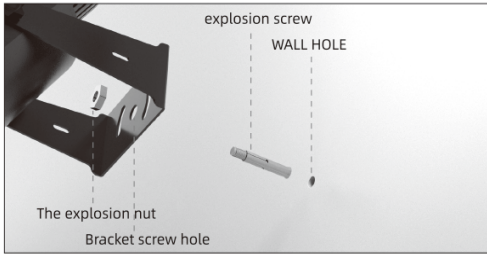


- Brightness: 9500 lumens
- Lens Range (bright environment) Up to 60 ft
- Lens Range (dark environment) Up to 50ft
- *Aspect ratio: 1:0.33 (Image size(m)=0.33*distance(m))
- Projector Dimensions 9.5"L X 8"H
- Base 5"L X 3"L
- Projector Box Dimensions 14" X 8" X 7"
- Power Consumption: 4W
- Projector Weight 6.5lbs

PRODUCT SPECIFICATIONS

- Heavy Duty Aluminum Housing (Available in Silver | Black)
- Water Resistant IP67
- High Power LED Light
- Replaceable GOBO Lens
- Warranty 1-Year
- Adjustable Focus (Manual)
- Remote Control
- Rotating Lense
- Certifications ISO900, CE, ROHS FCC, PSE
- Input Voltage: AC 120/220V - 50Hz-60Hz
- Ambient Operating Temperature -31°F to 140°F

INSTALLATION METHOD



1. Drill screw holes in the positions to be installed.
2. Put the explosion screw into the punch hole.
3. Align the screw hole of the machine base bracket into the threaded end of the explosion screw. The diameter of the wall opening is 10mm.
4. Screw the nut into the thread at the end of the explosion screw until it is tightened.

GOBO REPLACEMENT



1. Screw out all the screws of the front of the machine.



3. Install new GOBO and snap ring. The GOBO needs the reverse side up.



2. Take out the snap ring nad GOBO



4. Reinstall the front cover of the machine and complete the installation.